

SPECIFICATION

Product : IP66 Symmetric Floodlight

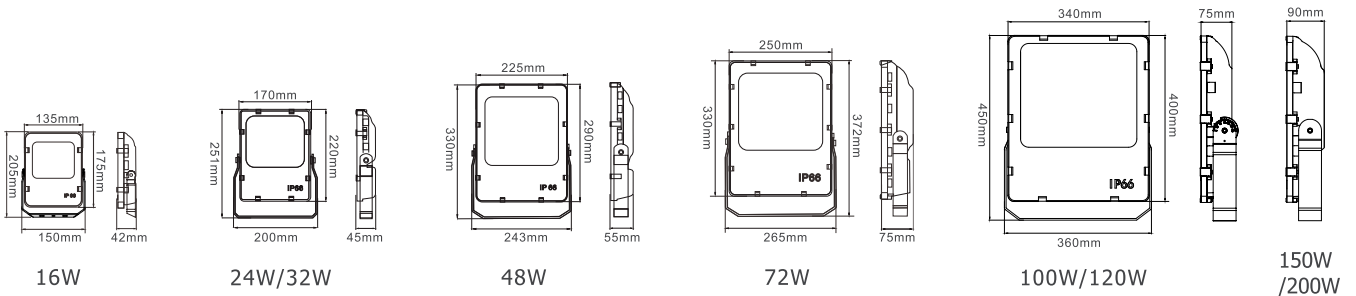


1. Main Features

- ▶ System Efficiency up to 130lm/Watt.
- ▶ Cree/ Osram LED chips.
- ▶ Aluminum die-casting body, Aluminum bracket and stainless steel screws. Good corrosion resistance.
- ▶ IP66, suitable for outdoor lighting.
- ▶ High reliability structure, with extremely low failure rate in the past 6 years.
- ▶ Long lifetime over 50,000 hrs, extremely low maintenance cost.
- ▶ 5 years warranty.
- ▶ Suitable for general lighting and decoration lighting, such as Garden/Building decoration, Billboard, Warehouse, Gymnasiums, Gas stations, Toll stations, etc.



2. Dimension



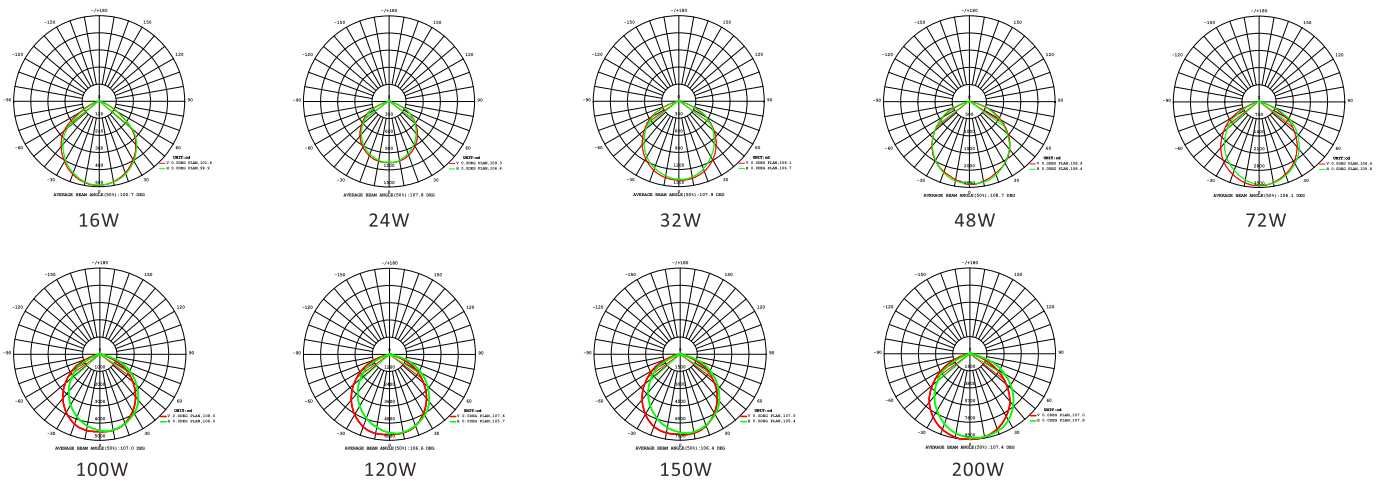
3. Technical Data

Model No.	LFL16W09LDR00	LFL24W09LDR00	LFL32W09LDR00	LFL48W09LDR00	LFL72W09LDR00
Light Source	32x SMD2835	40x SMD2835	48x SMD2835	88x SMD2835	112x SMD2835
LED Chips	Cree/ Osram	Cree/ Osram	Cree/ Osram	Cree/ Osram	Cree/ Osram
Input Voltage	100-240VAC 50/60Hz	100-240VAC 50/60Hz	100-240VAC 50/60Hz	100-240VAC 50/60Hz	100-240VAC 50/60Hz
LED Power (W)	13.5-14.5	20-21	27-28	48-50	65-68
System Power (W)	15-17	24-25	30-32	53-56	72-75
Luminous flux (lm)	1,840-2,000	2,800-3,300	3,600-4,200	6,100-6,500	7,800-9,300
Power Factor	>0.9	>0.95	>0.95	>0.95	>0.95
CCT (K)	3000/4000/5000/5700	3000/4000/5000/5700	3000/4000/5000/5700	3000/4000/5000/5700	3000/4000/5000/5700
CRI	>80	>80	>80	>80	>80
Beam Angle	120°	120°	120°	120°	120°
Driver Output Voltage (VDC)	22-42	22-42	22-42	24-42	24-36
Driver Output Current (mA)	400(constant current)	600(constant current)	1050(constant current)	1400(constant current)	1900(constant current)
Housing Color	Black/Grey/Sliver	Black/Grey/Sliver	Black/Grey/Sliver	Black/Grey/Sliver	Black/Grey/Sliver
Power Cable	1.5m H05RN-F	1.5m H05RN-F	1.5m H05RN-F	1.5m H05RN-F	1.5m H05RN-F
Inner Box(mm)	188*78*238	225*95*285	225*95*285	285*100*365	403*300*113
Outer Carton(cm)	50*39*26(12pcs/CTN)	46.5*30*50(10pcs/CTN)	46.5*30*50(10pcs/CTN)	58.5*40*33(6pcs/CTN)	48*31.5*42(4pcs/CTN)
Net Weight(kg)	1.08	1.63	1.63	3.08	4.8
THD (230VAC)	/	<20%	<20%	<20%	<20%
Qty of products to each Circuit Breaker (230VAC)	/	72 units (B10) / 116 units (B16) 72 units (C10) / 116 units (C16) 72 units (D10) / 116 units (D16)	50 units (B10) / 80 units (B16) 50 units (C10) / 80 units (C16) 50 units (D10) / 80 units (D16)	43 units (B10) / 64 units (B16) 45 units (C10) / 70 units (C16) 50 units (D10) / 70 units (D16)	35 units (B10) / 64 units (B16) 40 units (C10) / 65 units (C16) 50 units (D10) / 68 units (D16)

Model No.	LFL100W09LDR00	LFL120W09LDR00	LFL150W09LDR00	LFL200W09LDR00
Light Source	150x SMD2835	192x SMD2835	240x SMD2835	380x SMD2835
LED Chips	Cree/ Osram	Cree/ Osram	Cree/ Osram	Cree/ Osram
Input Voltage	100-240VAC 50/60Hz	100-240VAC 50/60Hz	100-240VAC 50/60Hz	100-240VAC 50/60Hz
LED Power (W)	85-89	106-111	133-139	175-185
System Power (W)	94-99	118-124	148-155	188-199
Luminous flux (lm)	11,500-13,000	13,800-16,100	17,300-19,500	22,000-26,000
Power Factor	>0.95	>0.95	>0.95	>0.95
CCT (K)	3000/4000/5000/5700	3000/4000/5000/5700	3000/4000/5000/5700	3000/4000/5000/5700
CRI	>80	>80	>80	>80
Beam Angle	120°	120°	120°	120°
Driver Output Voltage (VDC)	24-48	24-48	24-48	24-48
Driver Output Current (mA)	2000(constant current)	3130(constant current)	3130(constant current)	4160(constant current)
Housing Color	Black/Grey	Black/Grey	Black/Grey	Black/Grey
Power Cable	1.4m H05RN-F 3x1.0mm ²	1.4m H05RN-F 3x1.0mm ²	1.4m H05RN-F 3x1.0mm ²	1.4m H05RN-F 3x1.0mm ²
Inner Box(mm)	490*400*130	490*400*130	490*400*130	490*400*130
Outer Carton(cm)	41.5*28.5*51(2pcs/CTN)	41.5*28.5*51(2pcs/CTN)	41.5*28.5*51(2pcs/CTN)	41.5*28.5*51(2pcs/CTN)
Net Weight(kg)	5.8	5.8	7.5	7.8
THD (230VAC)	<20%	<20%	<20%	<20%
Qty of products to each Circuit Breaker (230VAC)	2 units (B10) / 3 units (B16) 4 units (C10) / 6 units (C16) 8 units (D10) / 12 units (D16)	2 units (B10) / 3 units (B16) 3 units (C10) / 5 units (C16) 6 units (D10) / 11 units (D16)	2 units (B10) / 3 units (B16) 3 units (C10) / 5 units (C16) 6 units (D10) / 11 units (D16)	2 units (B10) / 4 units (B16) 4 units (C10) / 6 units (C16) 6 units (D10) / 10 units (D16)

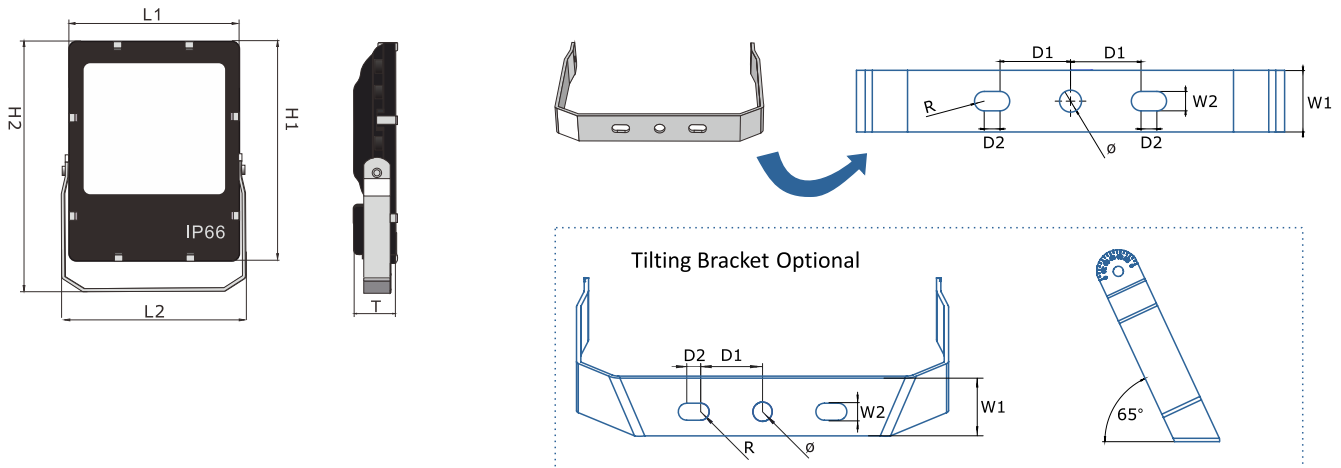
Tempered Glass	Clear/Foggy	Working Temperature (°C)	-20 to +50	Working Humidity (RH%)	10-90
Safety Standards	EN 60598-1:2015; EN 60589-2-5:1998; EN 62471:2008; EN 62493:2010; IEC 60598-1:2014; IEC 60598-2-5:1998; AS/NZS 60598.2.5:2002; AS/NZS 60598.1:2013				
EMC	EN 55015:2013; EN 61547:2009; EN 61000-3-2:2006+A1:2009+A2:2009; EN61000-3-3:2013				
Photobiological Safety	EN 62471: 2008				

4. Luminous Intensity Distribution Diagram



For the IES file, please contact us by E-mail.

5. Installation



Unit: mm

Power	H1	H2	L1	L2	T	D1	D2	W1	W2	R	φ
16W	175	205	135	150	42	31	8	20	8.5	4.25	8.5
24/32W	220	251	170	200	45	35	9	30	10.5	5.25	10.5
50W	290	330	225	243	55	40	9	35	11	5.5	12.5
72W	330	372	250	265	75	40	9	40	11	5.5	12.5
100W /120W	440	450	340	360	75	48	40	55	13	6.5	13
150W /200W	440	450	340	360	90	48	40	55	13	6.5	13

Maximum projected area of the floodlight:

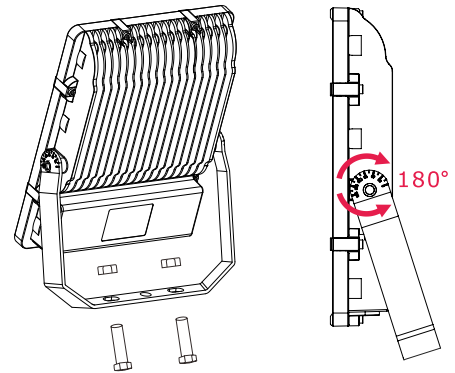
12W/16W: 0.024 m²
 24W/32W: 0.037m²
 50W: 0.065m²
 72W: 0.083m²
 100W,120W, 150W, 200W: 0.136m²

Dimension of Tempered Glass:

12W/16W: 165x128x4 (mm)
 24W/32W: 213x163x4 (mm)
 50W: 283x218x4 (mm)
 72W: 320x242x4 (mm)
 100W,120W, 150W, 200W: 390x332x5 (mm)

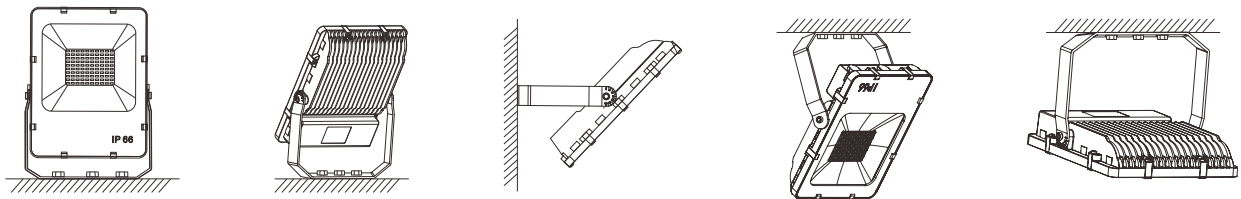
Installation Steps

- Step 1: Open the box and check your product. In case of damage contact your merchandiser.
- Step 2: Fasten the brackets on the wall/surface with Stainless steel screws.
- Step 3: Adjust the floodlight to direct the light in desired direction before tightening the screws.
- Step 4: Be sure to connect the wires correctly. Brown- Live, Blue- Null, Yellow/Green- grounding. Make sure power cord was fixed for anti-pull purpose, and the connection is waterproof.
- Step 5: Switch the voltage on and check to see that the floodlight works properly.



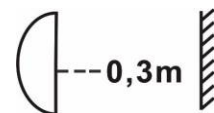
Installation position

Floodlight can be installed on wall, ceiling or on a horizontal surface. Maximum installation height is 18m considering the project distance.



Caution:

1. Installation and maintenance must be performed by professionals only.
2. The light source of this luminaire is not replaceable; when the light source reaches its end of life the whole luminaire shall be replaced.
3. If the external flexible cable or cord of this luminaire is damaged, it shall be exclusively replaced by the manufacturer or his service agent or a similar qualified person in order to avoid a hazard.
4. Please make sure the holder is strong enough and screws were tighten up.
5. Ground wire must be well connected.
6. Please make sure the lamp is working with correct input voltage.
7. Do not use chemicals or corrosive cleaner to clean the fixture.
8. The minimum distance from lighted objects to luminaries shall be kept at least 0.3m.
9. Broken Glass must be replaced by certified technician.



Utilization of used lamps

LED lamps must be disposed of in accordance with current regulations concerning environmental protection. Used lamps should be returned to the applicable collection point, where they will be accepted free of charge. Proper utilization of equipment enables preserving valuable environmental resources and avoiding adverse impacts on health and the environment, which may be threatened by inappropriate waste handling.

